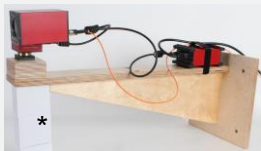
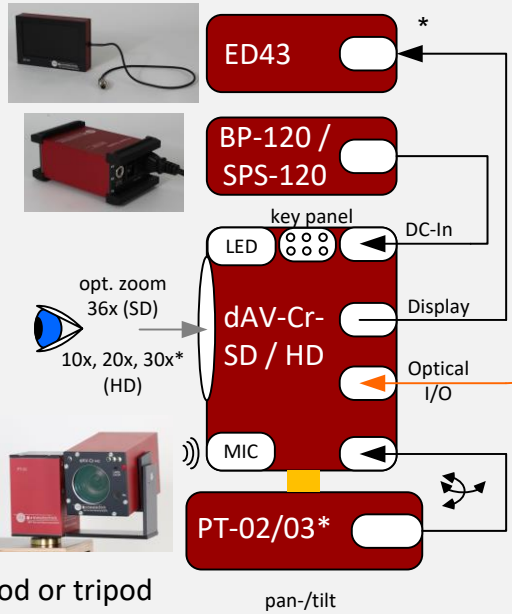


setup display (4,3")  
 battery pack or  
 shielded power supply  
 (standard 230V, 110V  
 available too)  
 for wall mount application

dAV- camera SD, HD,  
 mini-HD or  $\mu$

pan-/tilt unit\*  
 (optional)  
 PT-02: wall / ceiling mount  
 PT-03: mobile use on monopod or tripod



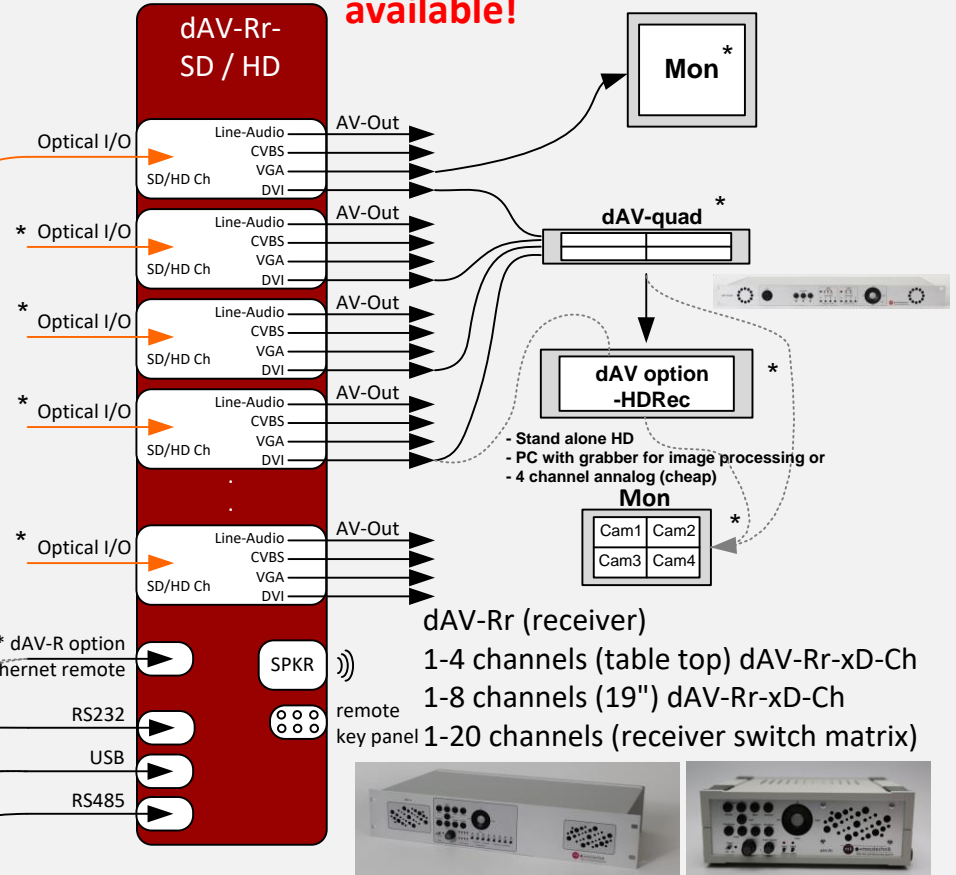
wall mount WCM40  
 optional TRX  
 platform



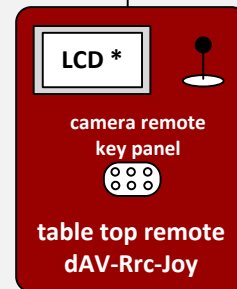
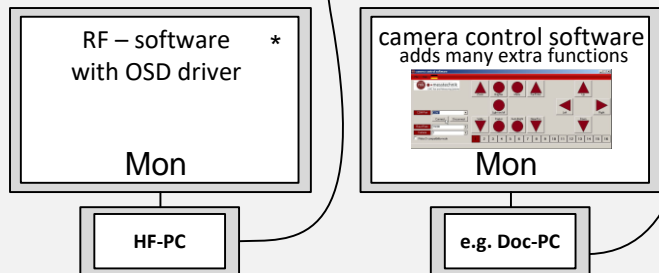
mk monopod  
 optional ball casters

video, audio  
 and remote  
 over one  
 fiber

**NEW: 3GSDI-Out  
 available!**



dAV-Rr (receiver)  
 1-4 channels (table top) dAV-Rr-xD-Ch  
 1-8 channels (19") dAV-Rr-xD-Ch  
 key panel 1-20 channels (receiver switch matrix)



Available for standard  
 receiver and switch matrix \*



\*: option; please ask for details

There are many more options to customize  
 the setup. Please ask for details  
 status:10/11/2016

- Motion Detection Software with recording  
 - Water resistant camera and pan/tilt for OATS